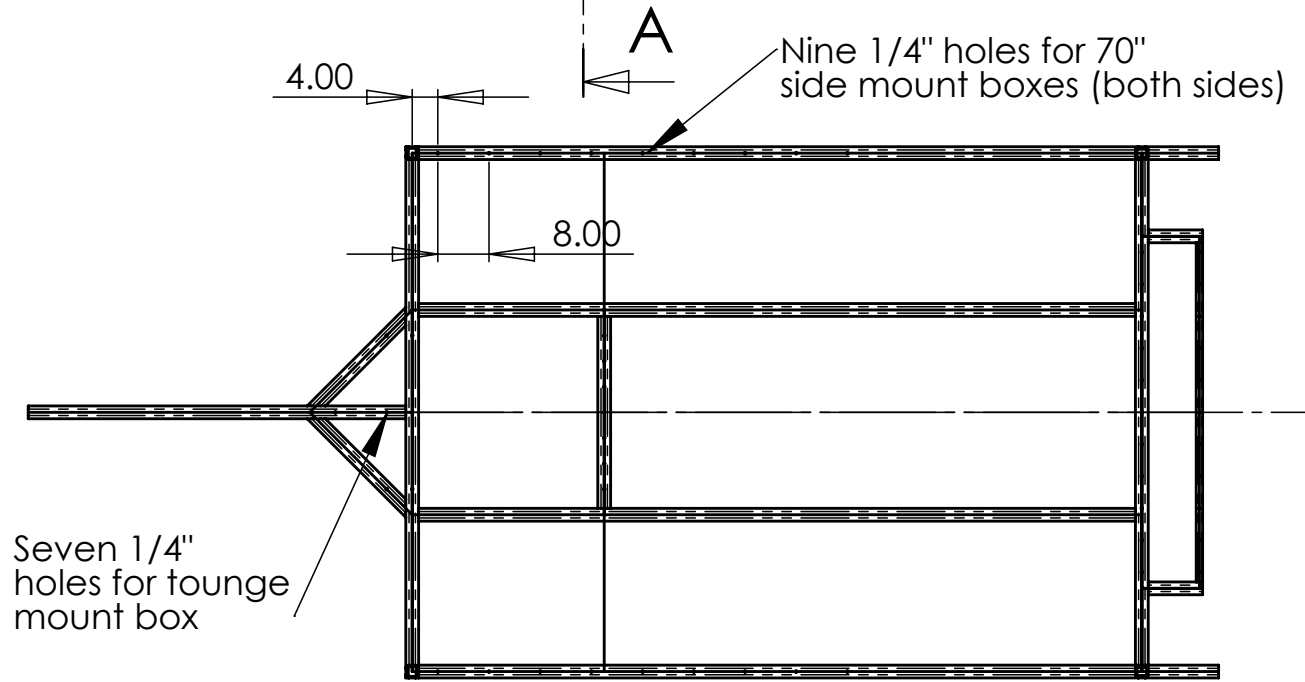
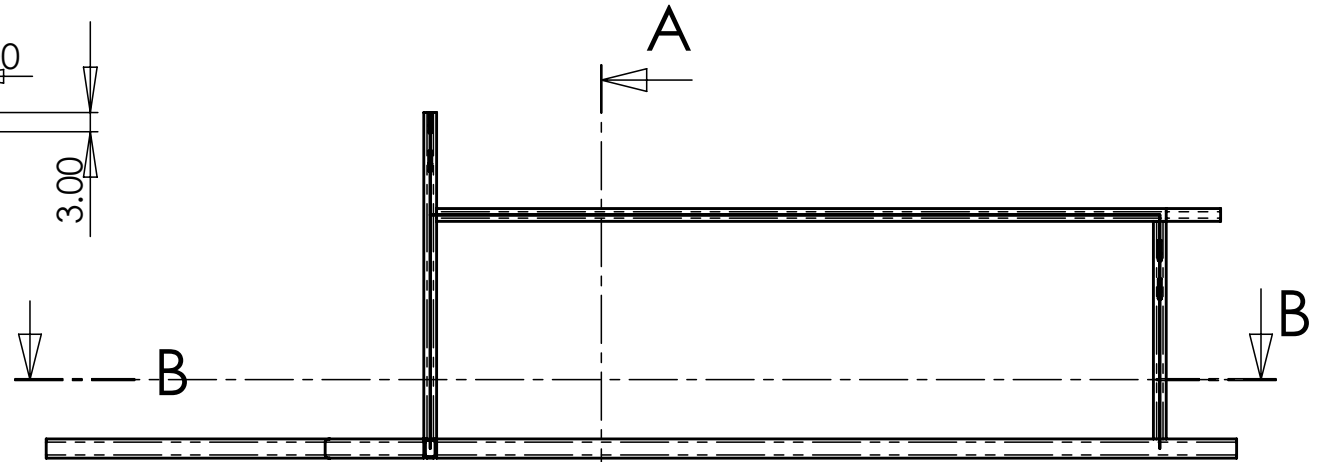


SECTION A-A
SCALE 1 : 30



SECTION B-B
SCALE 1 : 30

Seven 1/4"
holes for tongue
mount box

Nine 1/4" holes for 70"
side mount boxes (both sides)

5

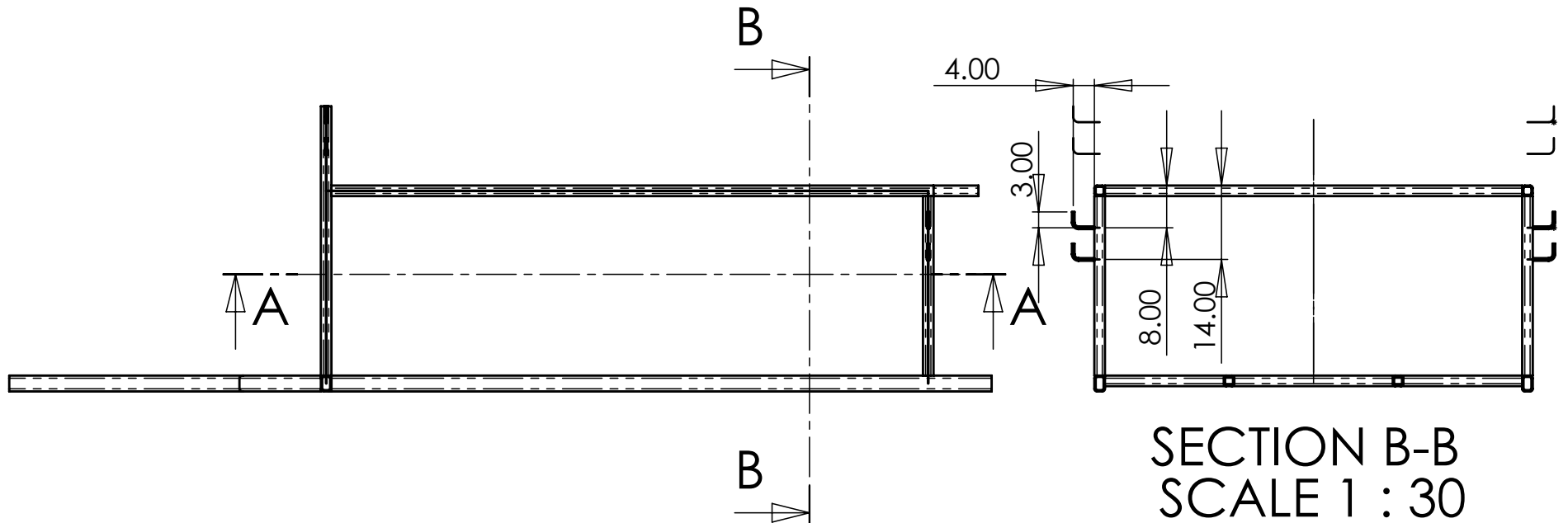
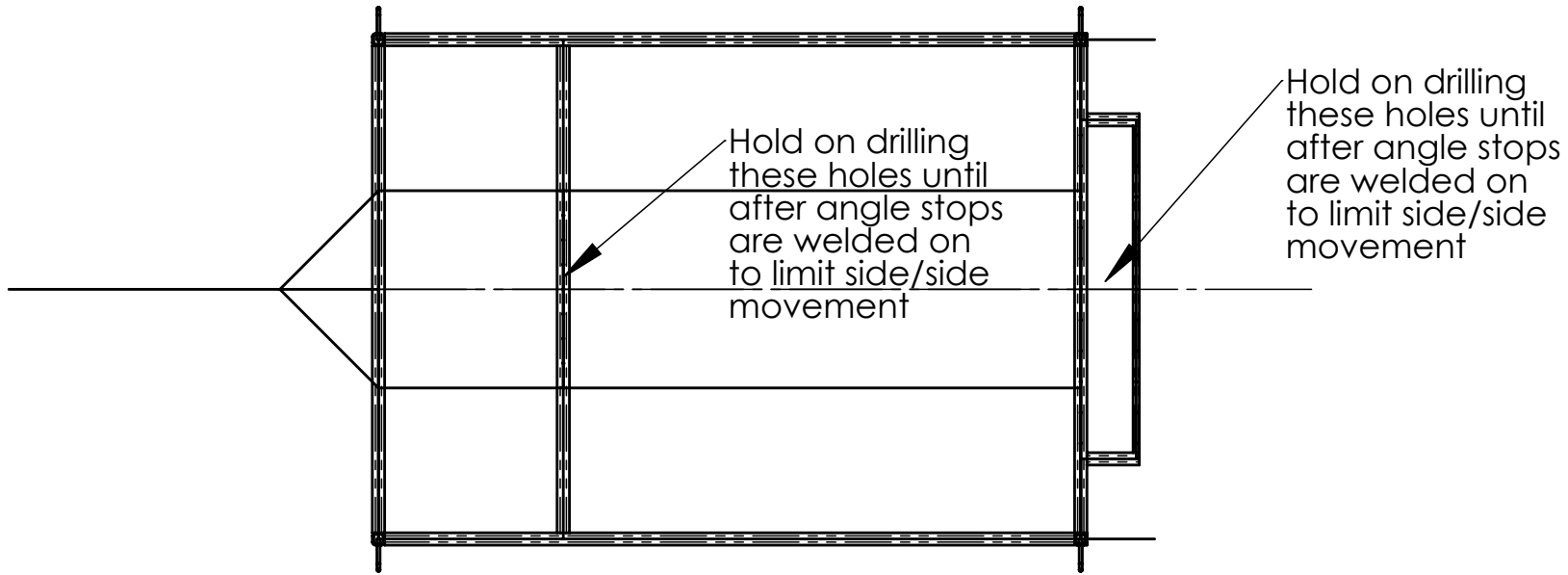
4

3

2

1

SECTION A-A SCALE 1 : 30



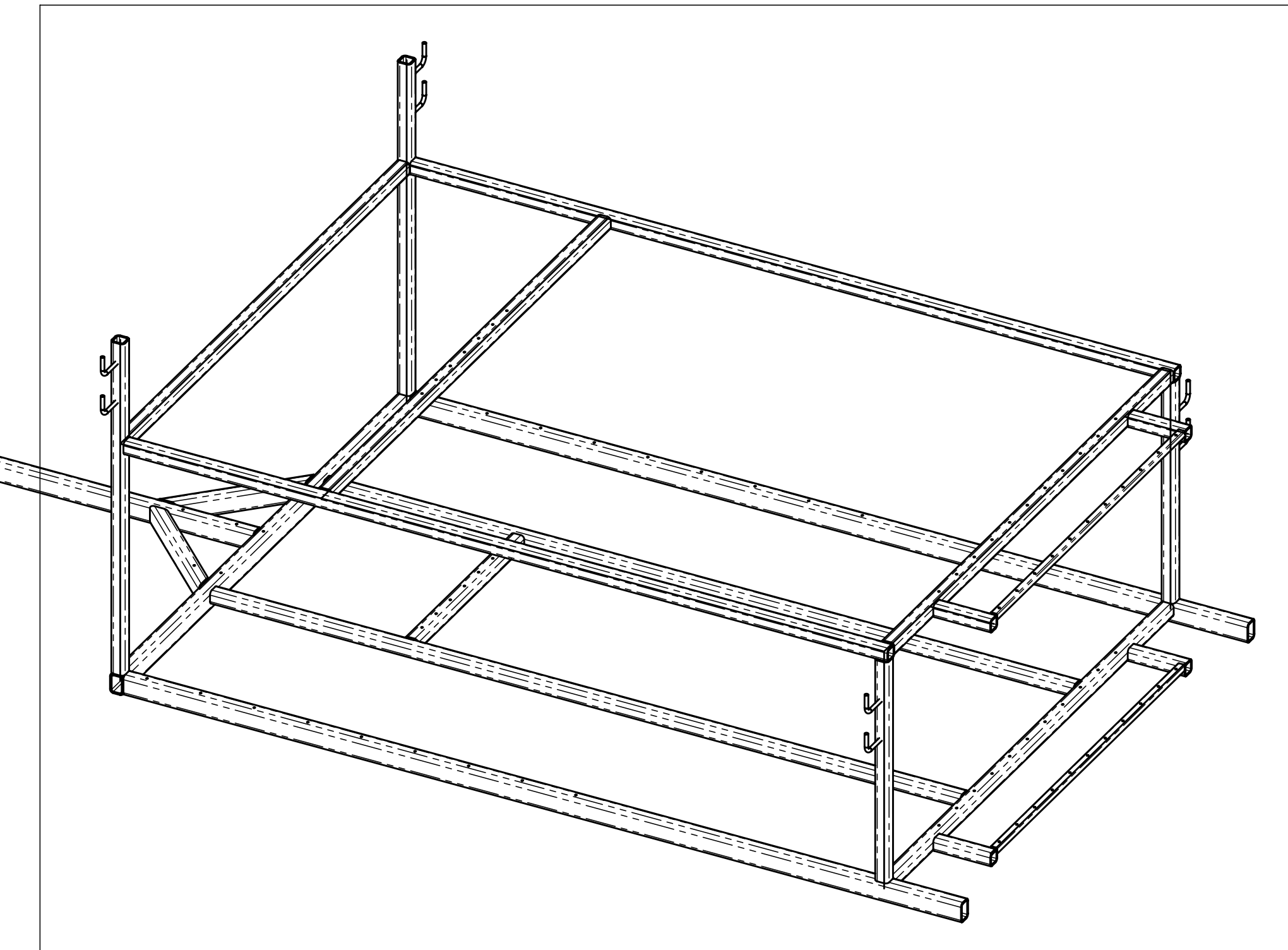
5

4

3

2

1



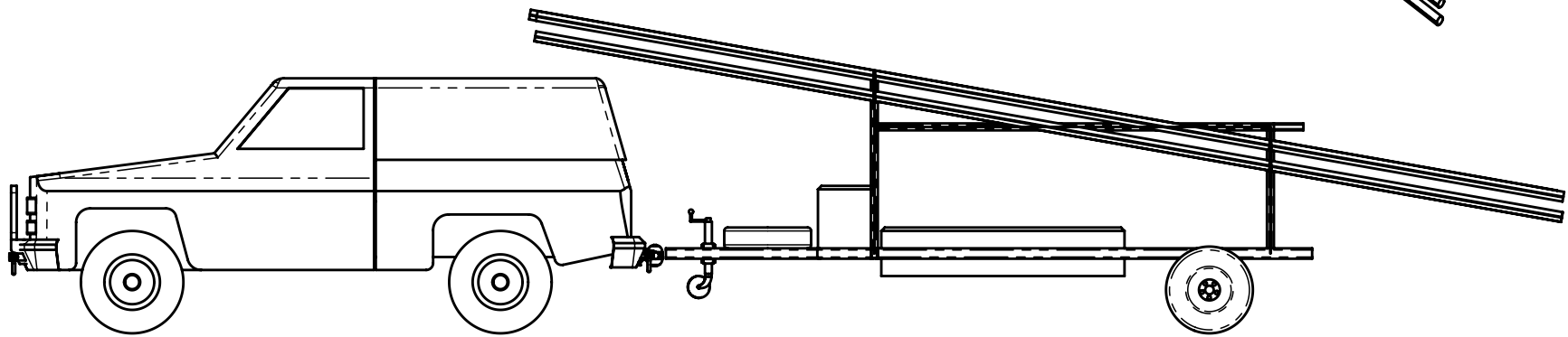
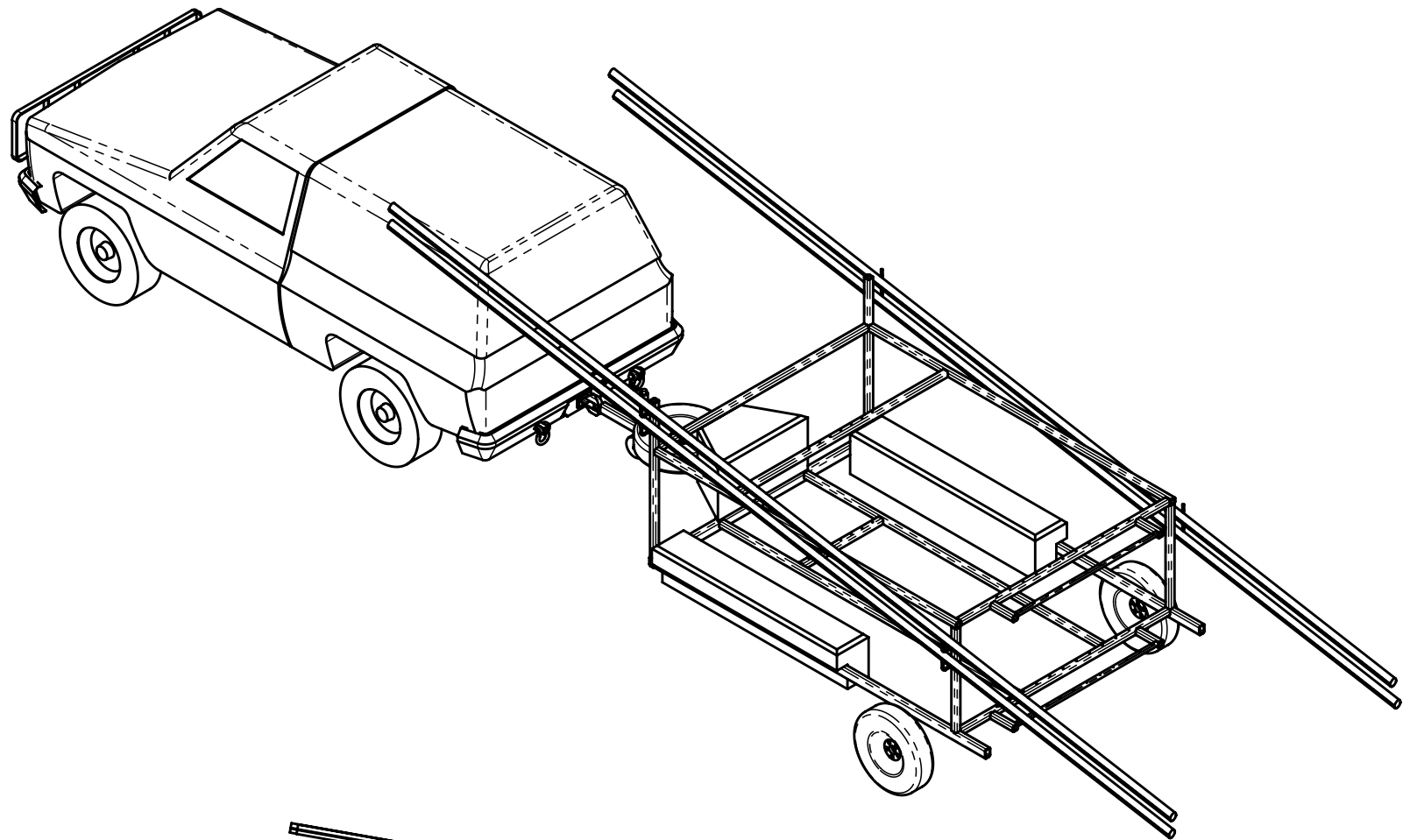
5

4

3

2

1



5

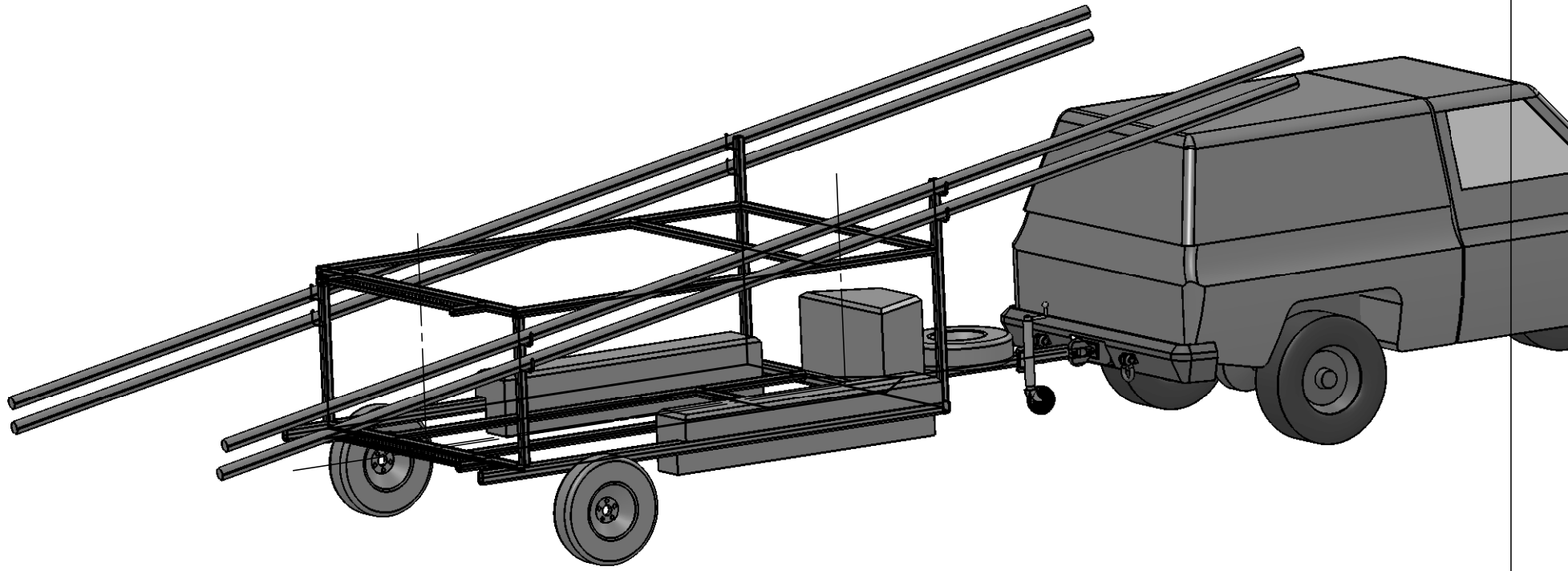
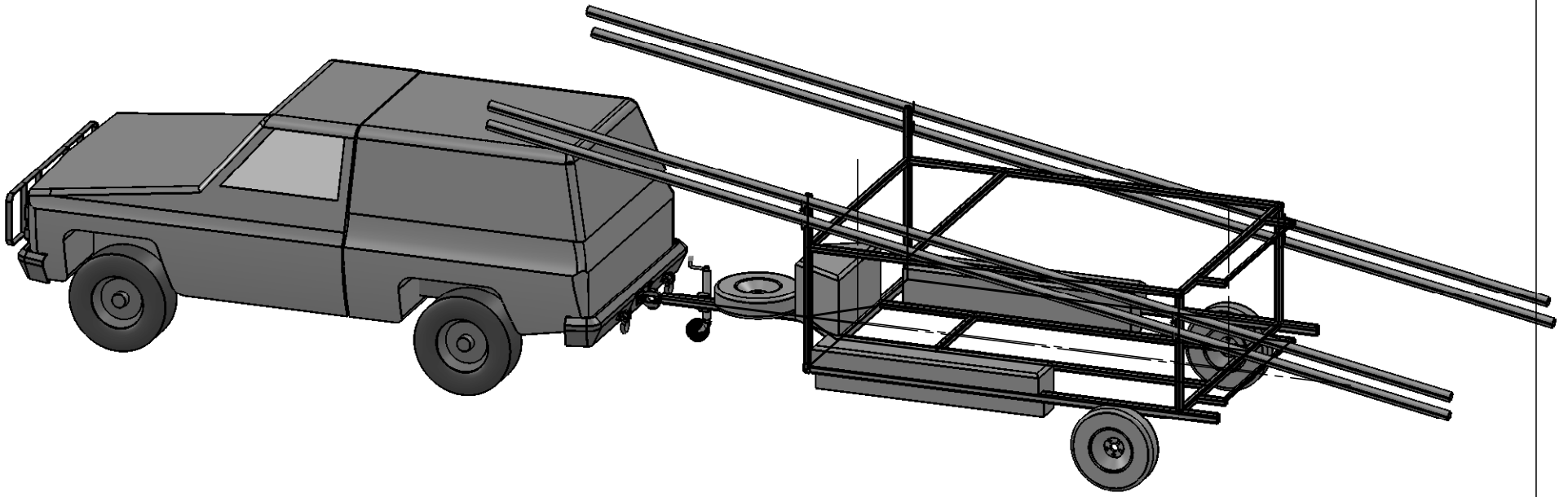


4

3

2

1



5

4

3

2

1